

ÜBERSICHTSZEICHNUNG ASSEMBLY DRAWING

GHOST



HYB ASX BASE / ESSENTIAL / UNIVERSAL (MY21)

Datum: 18-12-2020

Version: 01



HYB ASX BASE / ESSENTIAL / UNIVERSAL (MY21)

date: 18-12-2020

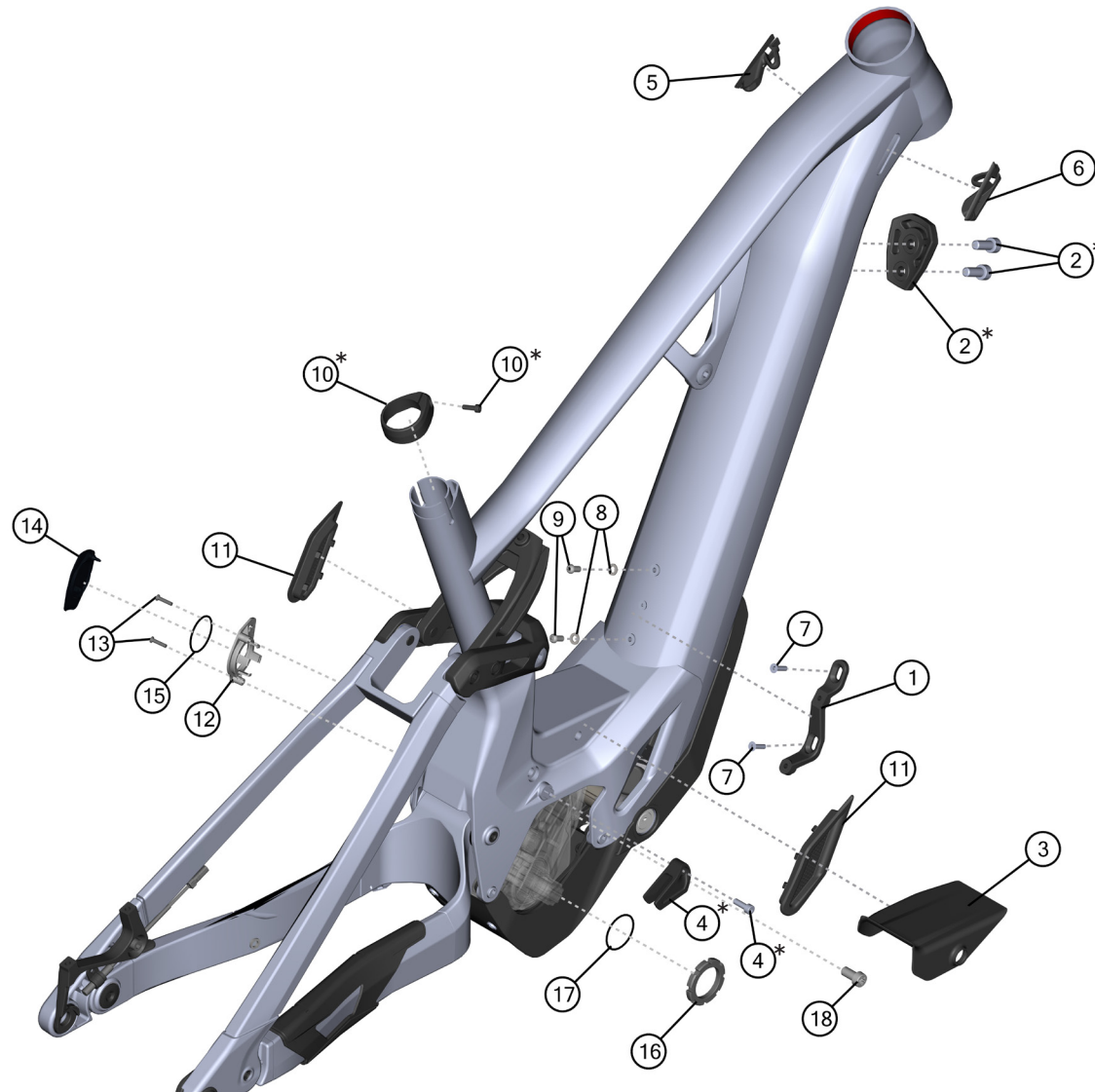
version: 01

page 1 / 13

ÜBERSICHTSZEICHNUNG

ASSEMBLY DRAWING main frame

GHOST



Hinweis:	Bei den Schrauben muss mittelfeste Gewindesicherung verwendet werden. Rote Flächen müssen gefettet werden.
Note:	use medium strength screw lock for screw threads. red surfaces has to be greased.



HYB ASX BASE / ESSENTIAL / UNIVERSAL (MY21)

date: 18-12-2020

version: 01

ÜBERSICHTSZEICHNUNG

ASSEMBLY DRAWING main frame

GHOST

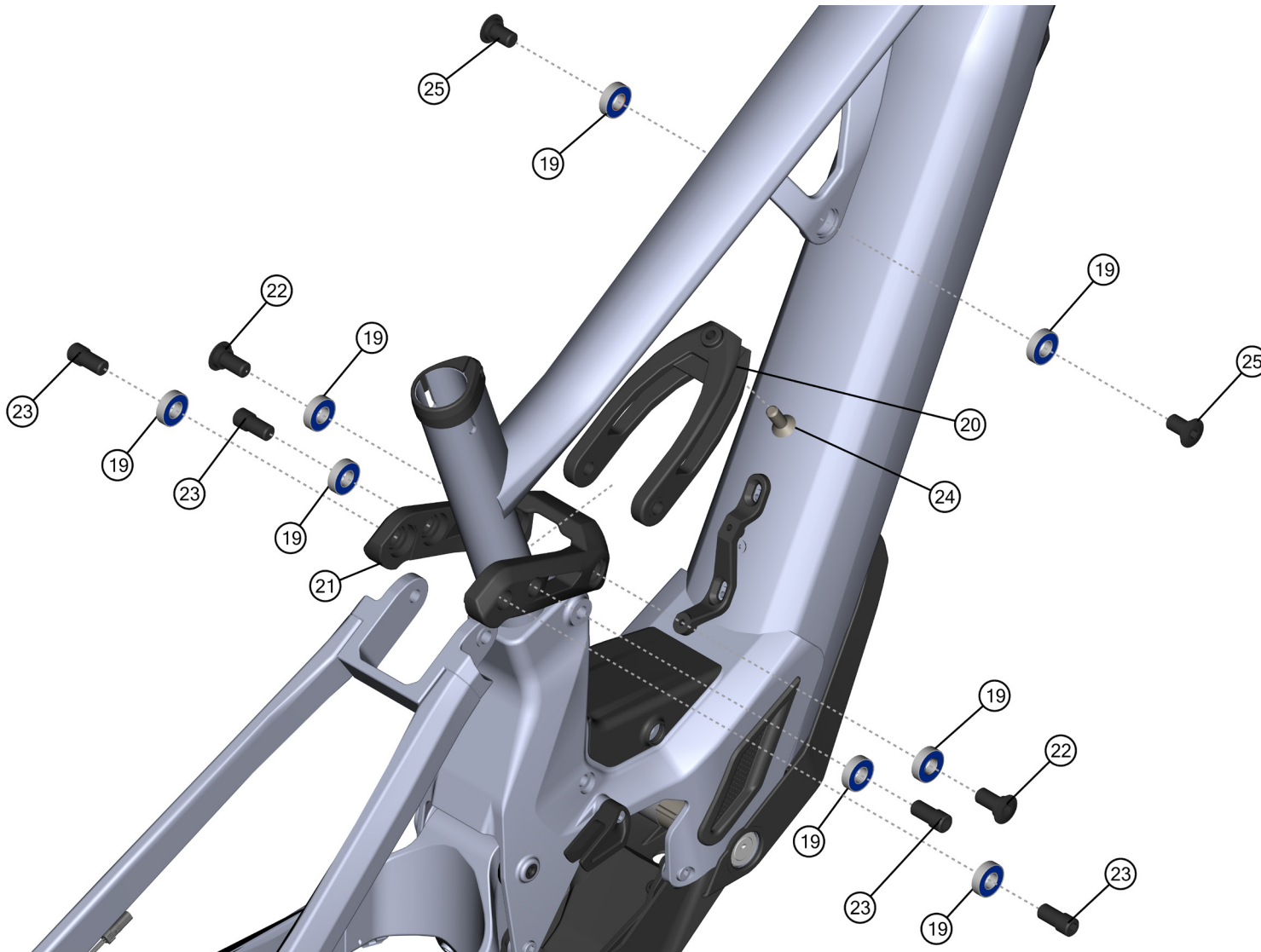
BOM-ID	Description	Specification	Torque	Item no.	QTY
1	Bottle cage bracket			FROT0118	1
2*	Hexagon socket screw (set incl. fork bumper)	Hex 6 - M8 x 20 mm	22 Nm	FROT0084	2
2*	Fork bumper (set incl. screw)			FROT0084	1
3	Top motor Cover			FROT0083	1
4*	Hexagon socket screw (set incl. chain guide)	Hex 4 - M5 x 12 mm	6 Nm	CG0016	1
4*	Chain guide (set incl. screw)			CG0016	1
5	Cable inlet left side			FROT0079	1
6	Cable inlet right side			FROT0078	1
7	Counter sunk screw	Hex 3 - M5 x 12 mm	6 Nm	FRSC0076	2
8	Spacer	ø 5,3 x 11 x 1,2 mm		FROT0121	2
9	Lens head screw	TX25 - M5 x 12 mm	6 Nm	FRSC0077	2
10*	Seatclamp (set incl. screw)	Ø 34,9 mm		SC0008	1
10*	Hexagon socket screw (set incl. seatclamp)	Hex 4 - M5 x 12 mm	6 Nm	SC0008	1
11	Cooling grids			FROT0117	1
12	Plug holder			FROT0184	1
13	Screw	M 3 x 14 mm	1 Nm	FRSC0100	2
14	Plug Cover			FROT0186	1
15	O-Ring			FROT0185	1
16	Lockring			FROT0180	1
17	O-Ring			FROT0181	1
18	Screw for drive unit	M 8 x 16 mm	22 Nm	FRSC0097	6

ÜBERSICHTSZEICHNUNG

ASSEMBLY DRAWING

rocker

GHOST



Hinweis:	Bei den Schrauben muss mittelfeste Gewindegewissicherung verwendet werden. Rote Flächen müssen gefettet werden.
Note:	use medium strength screw lock for screw threads. red surfaces has to be greased.



HYB ASX BASE / ESSENTIAL / UNIVERSAL (MY21)

date: 18-12-2020

version: 01

ÜBERSICHTSZEICHNUNG

ASSEMBLY DRAWING rocker

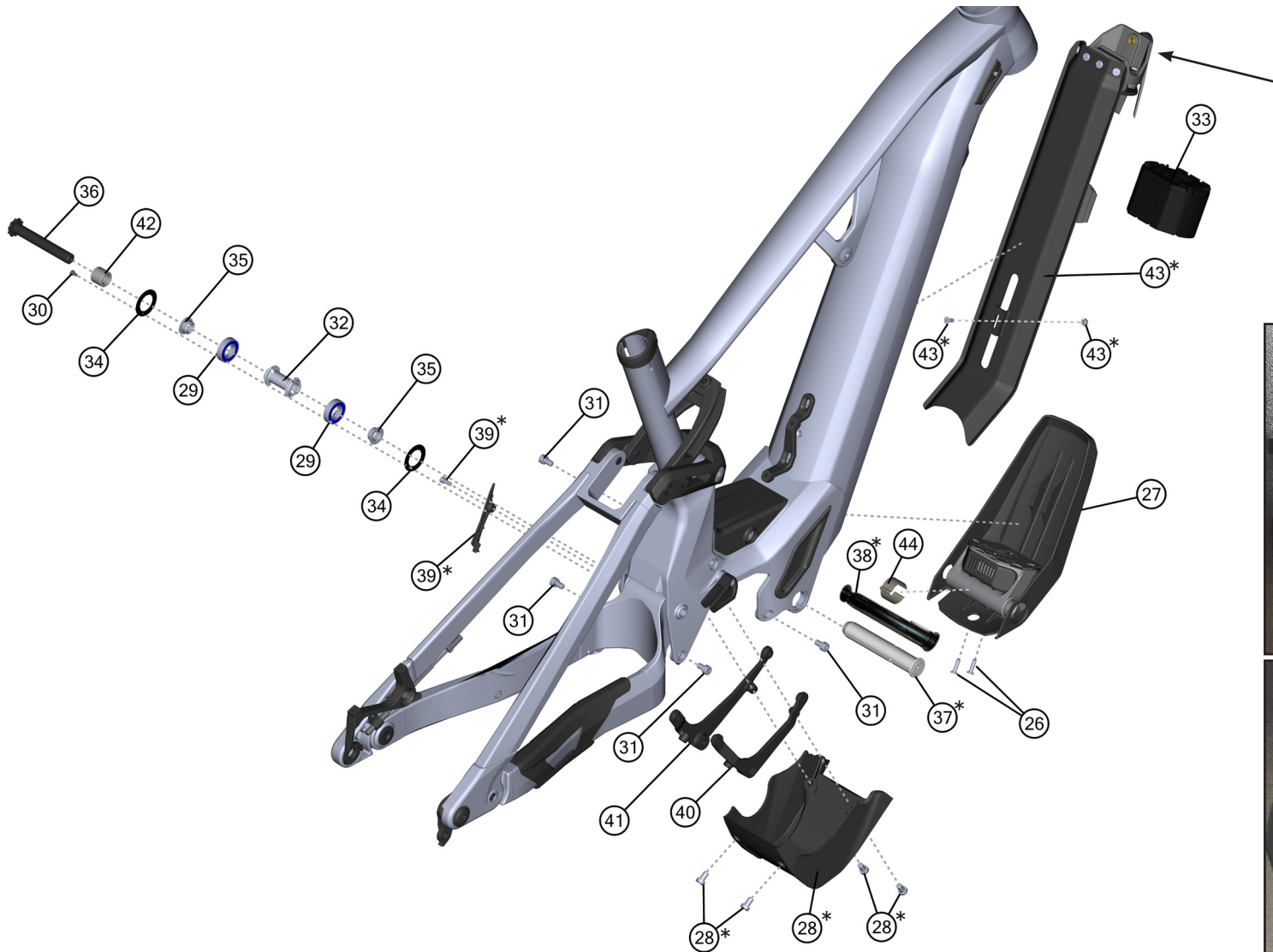
GHOST

BOM-ID	Description	Specification	Torque	Item no.	QTY
19	Bearing 6900 2RS	ø 10 x Ø 22 x 6 mm		FROT0119	8
20	Rocker Link-top			FROT0123	1
21	Rocker Link			FROT0124	1
22	Bolt for Rocker	Hex 6 - ø14 (M10) x 17,5 mm	14 - 18 Nm	FROT0125	2
23	Bolt for Rocker	Hex 6 - ø12 (M10) x 17 mm	14 - 18 Nm	FROT0126	4
24	Counter sunk screw	Hex 5 - M8 x 30 mm	22 Nm	FRSC0078	1
25	Bolt for Rocker	Hex 6 - ø14 (M10) x 17,5 mm	14 - 18 Nm	FROT0120	2

ÜBERSICHTSZEICHNUNG

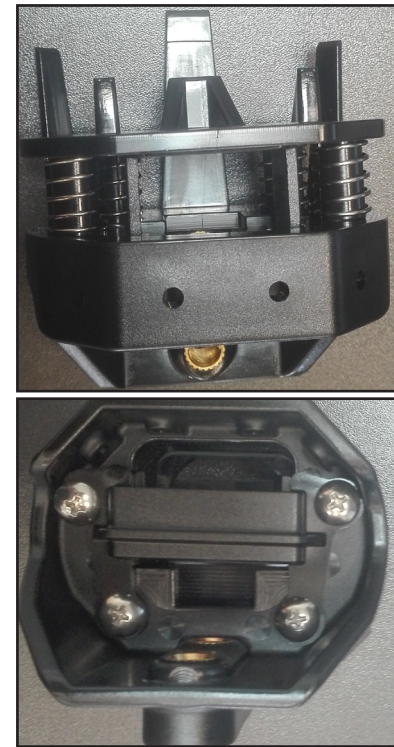
ASSEMBLY DRAWING battery holder

GHOST



Hinweis: Bei den Schrauben muss mittelfeste Gewindegewissicherung verwendet werden. Rote Flächen müssen gefettet werden.

Note: use medium strength screw lock for screw threads. red surfaces has to be greased.



HYB ASX BASE / ESSENTIAL / UNIVERSAL (MY21)

date: 18-12-2020

version: 01



ÜBERSICHTSZEICHNUNG

ASSEMBLY DRAWING battery holder

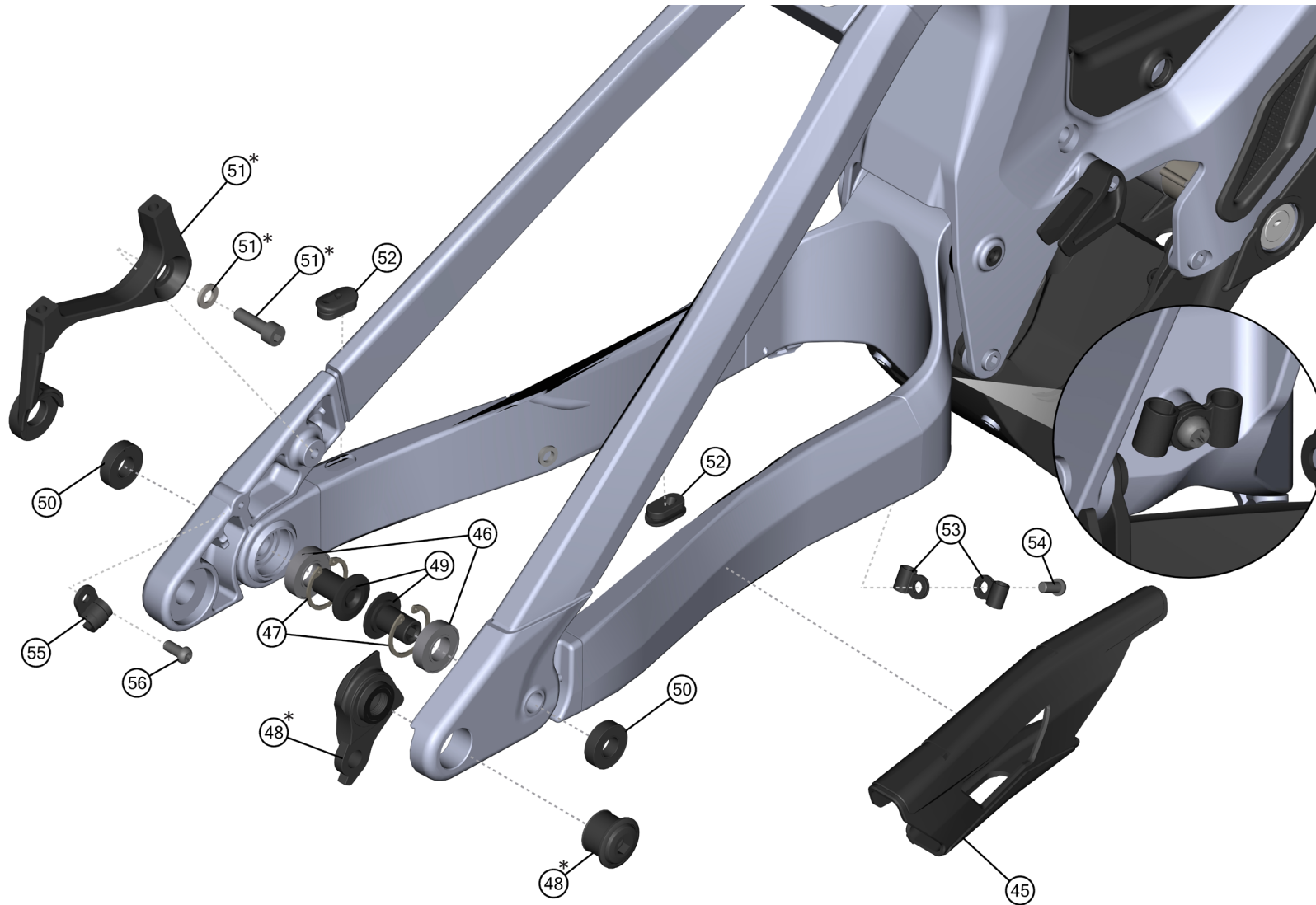
GHOST

BOM-ID	Description	Specification	Torque	Item no.	QTY
26	Counter sunk screw	Hex 2,5 - M4 x 16 mm	3 Nm	FRSC0085	2
27	Battery Handle			FROT0082	1
28*	Hexagon socket screw (set incl. motor plastic guard)	Hex 5 - M6 x 10 mm	11 Nm	FROT0081	4
28*	Motor plastic guard (set incl. screw)			FROT0081	1
29	Bearing 6902 2RS	ø 15 x Ø 28 x 7 mm		FROT0128	2
30	Hexagon socket screw	Hex 3 - M4 x 6 mm	1.5 Nm	FRSC0079	1
31	Hexagon socket screw	Hex 5 - M6 x 10 mm	11 Nm	FRSC0080	4
32	Spacer	ø 14 x Ø 23 x 40 mm		FROT0129	1
33	Battery Spacer			FROT0096	1
34	Spacer	ø 20 x Ø 32 x 1,1 mm		FROT0130	2
35	Spacer	ø 12 x Ø 20 x 7,5 mm		FROT0131	2
36	Main bolt	Hex 6 - ø12 (M12) x 84 mm	18 - 20 Nm	FROT0132	1
37*	Key lock (depending which is installed)			L00001	1
38*	Battery Threaded axle (set incl. screw + o-ring) (depending which is installed)			FROT0115	1
39*	Side cover (set incl. screw)			FROT0116	1
39*	Hexagon socket screw (set incl. side cover)	Hex 3 - M4 x 10 mm	1.5 Nm	FROT0116	1
40	Motor bracket (right side)			FROT0133	1
41	Motor bracket (left side)			FROT0134	1
42	Bushing	ø 12 x Ø 18 x 15,5 mm		FROT0135	1
43*	Battery Holder Set			FROT0080	1
43*	Counter sunk screw (included in the set battery holder)	Hex 2,5 - M4 x 10 mm	1.5 Nm	FROT0080	1
43*	Hexagon nut with flange (included in the set battery holder)	M4		FROT0080	1
44	Inox clip			SM1719	1

ÜBERSICHTSZEICHNUNG

ASSEMBLY DRAWING dropout

GHOST



Hinweis: Bei den Schrauben muss mittelfeste Gewindesicherung verwendet werden. Rote Flächen müssen gefettet werden.

Note: use medium strength screw lock for screw threads. red surfaces has to be greased.



HYB ASX BASE / ESSENTIAL / UNIVERSAL (MY21)

date: 18-12-2020

version: 01

ÜBERSICHTSZEICHNUNG

ASSEMBLY DRAWING dropout

GHOST

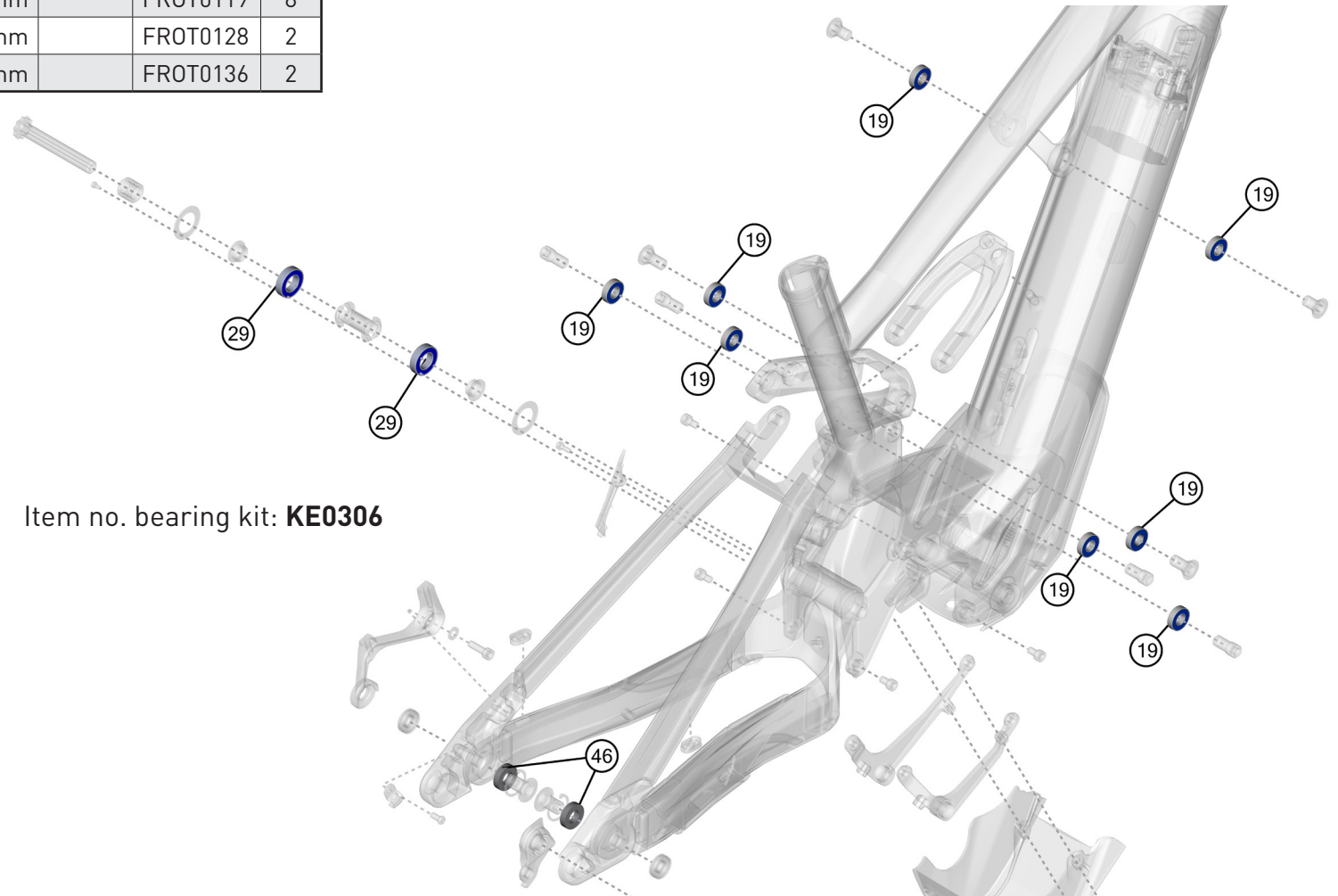
BOM-ID	Description	Specification	Torque	Item no.	QTY
45	Chain protection			SM1712	1
46	Bearing 6901 2RS	ø 12 x Ø 24 x 6 mm		FROT0136	2
47	Lock ring	Ø 25,9 mm		FROT0137	2
48*	Hanger + Nut			FRHG0061	1
49	Bolt	TX30 - ø 12 x Ø 23 x 21 mm	14 - 18 Nm	FROT0141	2
50	Washer STW-10			FROT0142	2
51*	Disconnect brakemount (set incl. screw and washer))			FROT0171	1
51*	Hexagon socket screw (set incl. Disconnect brake-mount and washer)	Hex 5 - M 6 x 16 mm	11 Nm	FROT0171	1
51*	Washer (set incl. Disconnect brakemount and screw)	ø 6,4 mm		FROT0171	1
52	Cable guide	SW415		FROT0154	2
53	Cable guide for 1 cable			SM0002	2
54	Lens head screw	TX25 - M 5 x 12 mm	6 Nm	SM1190	1
55	Clip holder			EL0276	1
56	Screw			EL0277	1

ÜBERSICHTSZEICHNUNG

ASSEMBLY DRAWING bearing kit

GHOST

BOM-ID	Description	Specification	Torque	Item no.	QTY
	Bearing kit			KE0306	1
19	Bearing 6900 2RS	ø 10 x ø 22 x 6 mm		FROT0119	8
29	Bearing 6902 2RS	ø 15 x ø 28 x 7 mm		FROT0128	2
46	Bearing 6901 2RS	ø 12 x ø 24 x 6 mm		FROT0136	2



HYB ASX BASE / ESSENTIAL / UNIVERSAL (MY21)

date: 18-12-2020

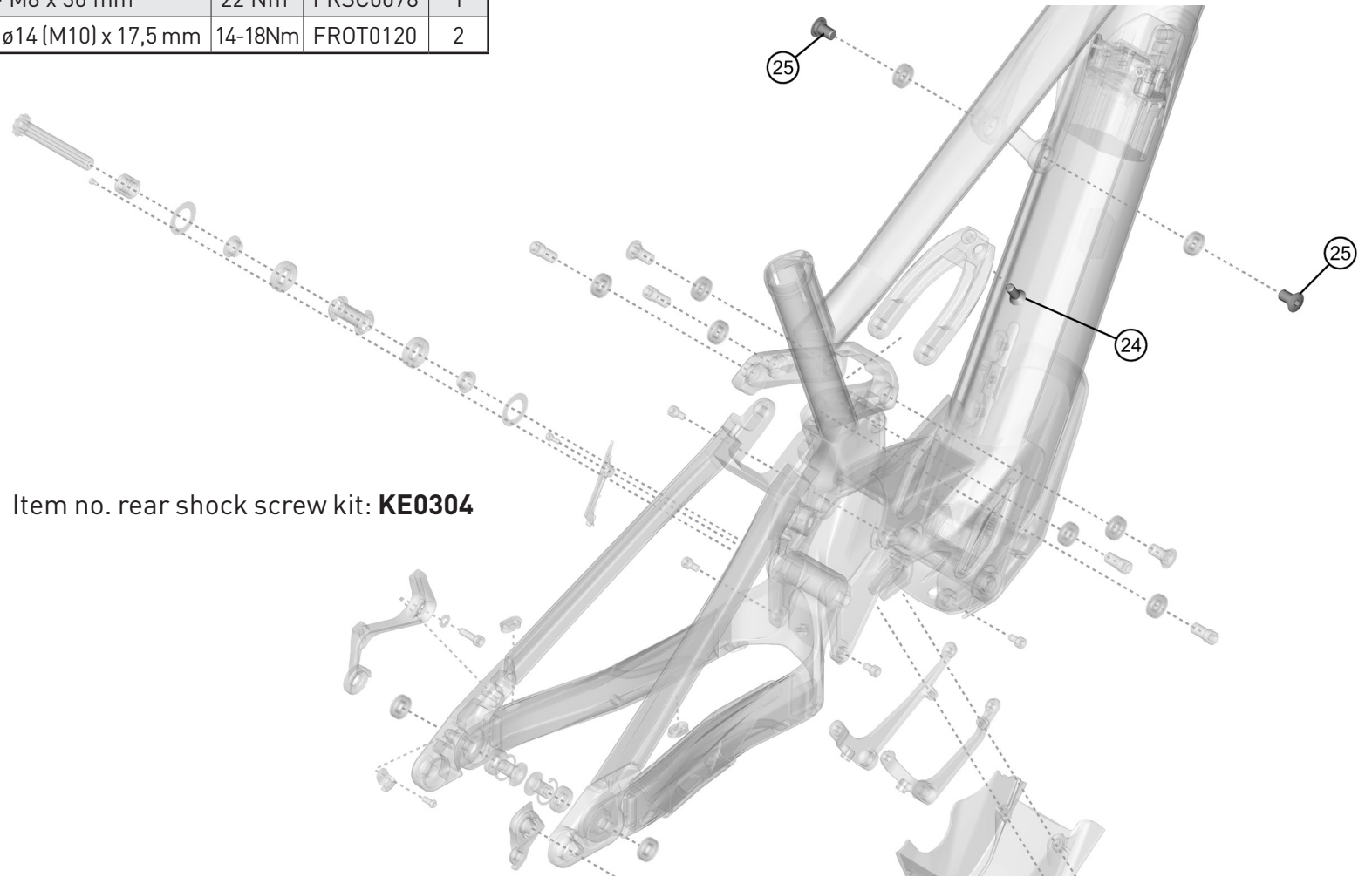
version: 01

ÜBERSICHTSZEICHNUNG

ASSEMBLY DRAWING rear shock screw kit

GHOST

BOM-ID	Description	Specification	Torque	Item no.	QTY
	Rear shock screw kit			KE0304	1
24	Counter sunk screw	Hex 5 - M8 x 30 mm	22 Nm	FRSC0078	1
25	Bolt for Rocker	Hex 6 - \varnothing 14 (M10) x 17,5 mm	14-18Nm	FR0T0120	2



Item no. rear shock screw kit: **KE0304**

HYB ASX BASE / ESSENTIAL / UNIVERSAL (MY21)

date: 18-12-2020

version: 01

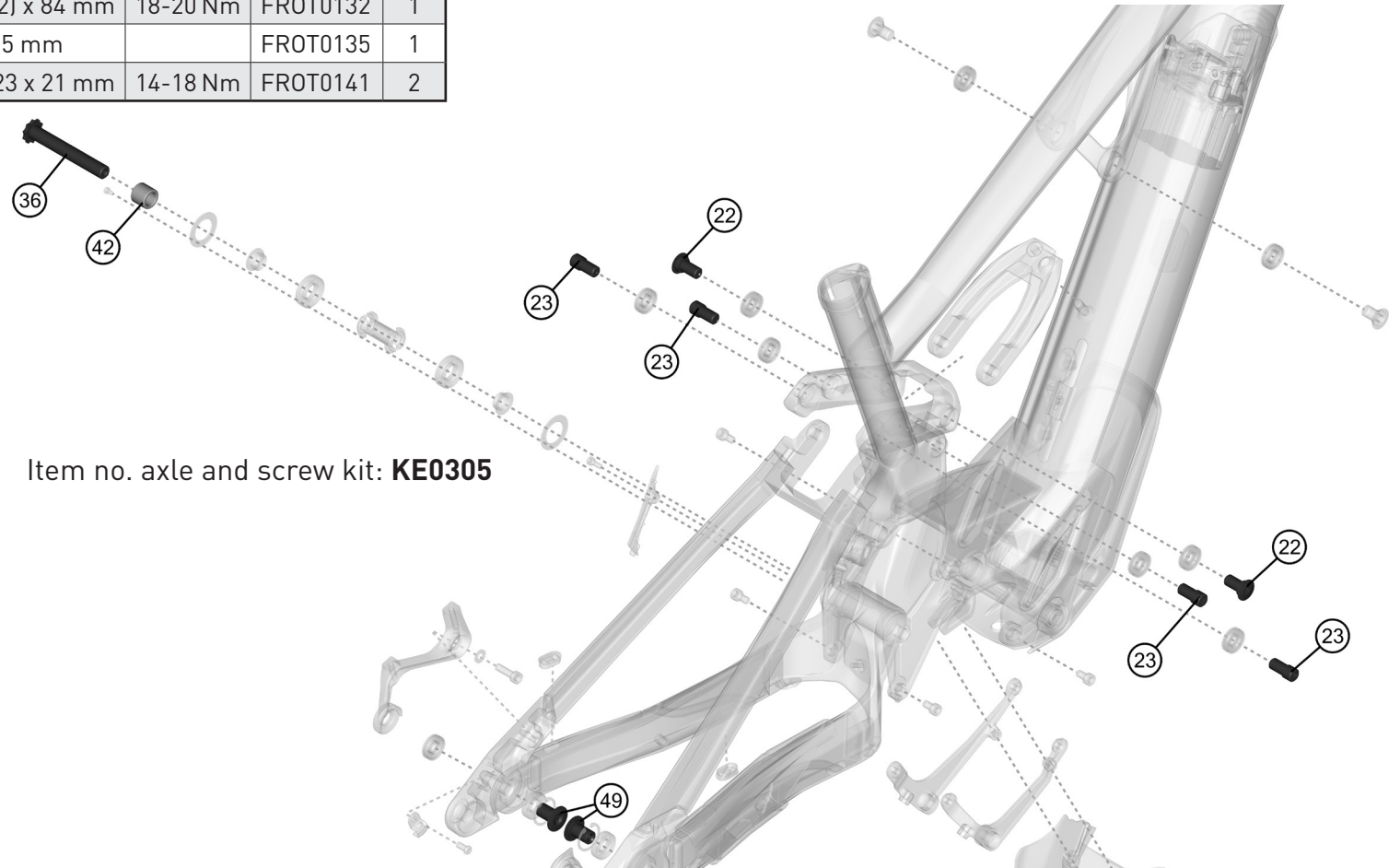
page 11 / 13

ÜBERSICHTSZEICHNUNG

ASSEMBLY DRAWING axle & screw kit

GHOST

BOM-ID	Description	Specification	Torque	Item no.	QTY
	Axle & srew kit			KE0305	1
22	Bolt for Rocker	Hex 6 - \varnothing 14 (M10) x 17,5 mm	14-18 Nm	FROT0125	2
23	Bolt for Rocker	Hex 6 - \varnothing 12 (M10) x 17 mm	14-18 Nm	FROT0126	4
36	Main bolt	Hex 6 - \varnothing 12 (M12) x 84 mm	18-20 Nm	FROT0132	1
42	Bushing	\varnothing 12 x \varnothing 18 x 15,5 mm		FROT0135	1
49	Bolt	TX30 - \varnothing 12 x \varnothing 23 x 21 mm	14-18 Nm	FROT0141	2



Item no. axle and screw kit: **KE0305**

HYB ASX BASE / ESSENTIAL / UNIVERSAL (MY21)

date: 18-12-2020

version: 01

page 12 / 13

ÜBERSICHTSZEICHNUNG

ASSEMBLY DRAWING

GHOST

FACT SHEET:	
SHOCK LENGTH:	205 MM
SHOCK HARDWARE TOP:	Ø 8 x 15
SHOCK HARDWARE BOTTOM:	Ø 8 x 15
HEADSET TOP:	ZS 56
HEADSET BOTTOM:	ZS 56
SEATPOST DIAMETER:	31,6 MM
CLAMP INNER DIAMETER:	34,9 MM
BOTTOM BRACKET:	-----
KICKSTAND:	-----
ISCG STANDARD:	-----
CARRIER MOUNT:	NO
FENDER COMPATIBLE:	NO

DROPPER SEATPOST READY:	YES
WATTERBOTTLE MOUNT:	1x
MAXIMUM PERMISSIBLE TOTAL WEIGHT:	120 KG
MAXIMUM TIRE SIZE:	
WHEEL SIZE:	27,5" / 29"
QUICK RELEASE LENGTH:	180 MM
OVER-LOCKNUT DIMENSION (O.L.D.):	164 MM
FD CLAMP SIZE:	-----
FD TYPE:	-----
ENGINE:	BOSCH GEN4 CX
BATTERY:	BOSCH 625 WH
DISPLAY:	BOSCH PURION



HYB ASX BASE / ESSENTIAL / UNIVERSAL (MY21)

date: 18-12-2020

version: 01